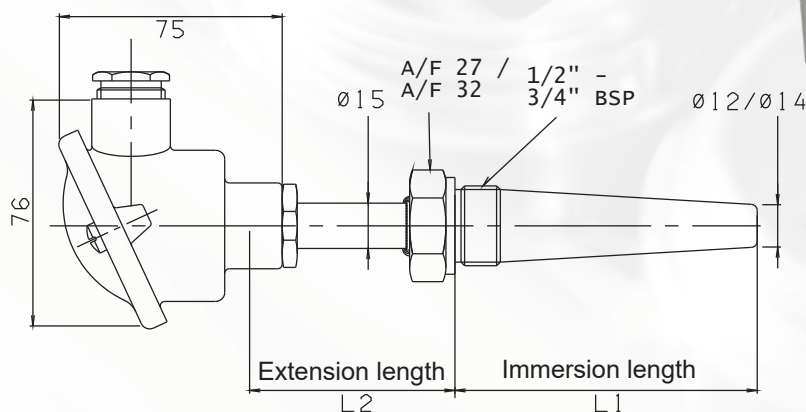


Thermocouple TYPE TDMH



With extension length and exchangeable insert - Classified

- Threaded thermocouples are widely used on ships in connection with diesel engines in exhaust and cooling-water systems.
- The measuring insert is removable type TMMI, DIN 43735. The immersion sheath is of Ø8 mm stainless steel.
- The measuring element is with thermocouples according to DIN 43732. Insulated measuring junction.
- Protective sheath Form B of stainless steel, AISI 316L according to DIN 43763. Pressure test at 120 bars.
- Extension length Ø15x1 mm.
- Connection head Form B according to DIN 43729, of light-alloy metal, protection IP 54, m. cable gland M20.
- Response time (mean values) measured at velocities in: water at 0.4 m/s: $\tau_{0.5} = 43$ sec. - $\tau_{0.9} = 165$ sec.
- Approvals: DNV-GL, Bureau Veritas, DNV-GL EU RO MR.



EU RO MUTUAL RECOGNITION TYPE APPROVAL CERTIFICATE - Group members are:

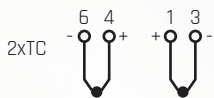


Ordering: See ordering form on back page



ORDERING FORM / THERMOCOUPLE *
TYPE TDMH

	<table border="1" style="display: inline-table; border-collapse: collapse;"> <tr><td style="width: 20px; height: 20px;"></td></tr> <tr><td style="width: 20px; height: 20px;"></td></tr> <tr><td style="width: 20px; height: 20px;"></td></tr> <tr><td style="width: 20px; height: 20px;"></td></tr> <tr><td style="width: 20px; height: 20px;"></td></tr> <tr><td style="width: 20px; height: 20px;"></td></tr> <tr><td style="width: 20px; height: 20px;"></td></tr> <tr><td style="width: 20px; height: 20px;"></td></tr> </table>									<table border="1" style="display: inline-table; border-collapse: collapse;"> <tr><td style="padding: 2px;">V 2,5</td></tr> </table>	V 2,5
V 2,5											
Imm. length/L1/mm 100 1 150 2 200 3 250 (Not classified) 4	<table border="1" style="display: inline-table; border-collapse: collapse;"> <tr><td style="width: 20px; height: 20px;"></td></tr> <tr><td style="width: 20px; height: 20px;"></td></tr> <tr><td style="width: 20px; height: 20px;"></td></tr> <tr><td style="width: 20px; height: 20px;"></td></tr> </table>					Tolerance class 1 1 2 2					
Sheath dia./mm Ø24/14 1 Ø18/12 2	<table border="1" style="display: inline-table; border-collapse: collapse;"> <tr><td style="width: 20px; height: 20px;"></td></tr> <tr><td style="width: 20px; height: 20px;"></td></tr> <tr><td style="width: 20px; height: 20px;"></td></tr> </table>				Thermoelement EN 60584 - Type/work. temp./Cl. 1/2 1 ... K - NiCr-Ni -40°C/ +1,000°C/ +1,200°C 2 ... J - Fe-CuNi -40°C/ +750°C/ +750°C 6 ... N - NiCrSi-NiSi -40°C/ +1,000°C/ +1,200°C						
Extension length/L2/mm 68 1 118 2	<table border="1" style="display: inline-table; border-collapse: collapse;"> <tr><td style="width: 20px; height: 20px;"></td></tr> <tr><td style="width: 20px; height: 20px;"></td></tr> <tr><td style="width: 20px; height: 20px;"></td></tr> </table>				Number of thermocouples 1 1xTC 2 2xTC 3 1xTC (Prepared f. transmitter)						
Mounting thread 1/2" 1 3/4" 2	<table border="1" style="display: inline-table; border-collapse: collapse;"> <tr><td style="width: 20px; height: 20px;"></td></tr> <tr><td style="width: 20px; height: 20px;"></td></tr> </table>										

Connection diagram:


*Some configurations are unavailable. Your Senmatic sales person will notify you if you have made an incorrect selection.