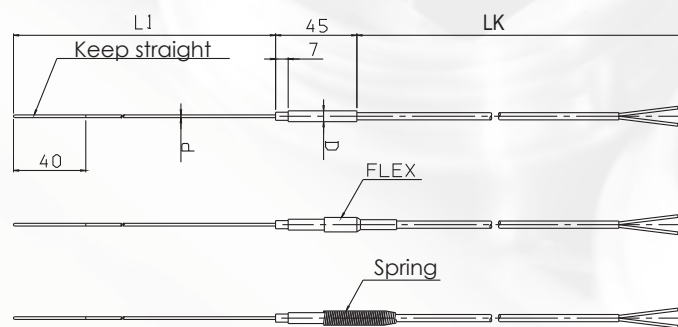


Resistance thermometer TYPE PMK



Mineral insulated with cable - classified

- Mineral insulated resistance thermometers are used, where flexibility, fast response time, vibration resistance and good resistance to environments are required, for measurement of temperatures in places difficult to access and in harsh environments.
NB! Must be kept straight 40 mm from the tip.
- Only measuring insert Ø6 mm is available with 2xPt, and only 3-cord.
- Protective sheath of stainless steel AISI 316TI, W. no. 1.4571.
- Mineral insulated temperature range: -200/+600°C.
- Recommended measuring current: max. 2 mA.
- Response time (mean values) measured at velocities in:
water w. 0.4 m/s: $\tau_{0.5} = 10$ sec. - $\tau_{0.9} = 31$ sec.
- Approvals: DNV-GL, Bureau Veritas, DNV-GL EU RO MR.



EU RO MUTUAL RECOGNITION TYPE APPROVAL CERTIFICATE - Group members are:



Ordering: See ordering form on back page



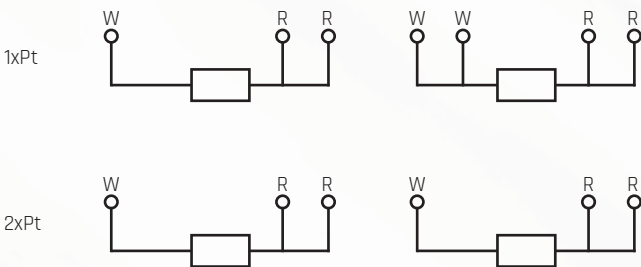
ORDERING FORM / RESISTANCE THERMOMETER *

TYPE PMK

		V 2.6	
<p>Imm. length/L1/mm Min. 60 mm - max. 10,000 mm Optional length</p>			
<p>Sheath-d/Neck-D/dia/mm Ø3/Ø10 (only Pt100) Ø4.5/Ø10 Ø6/Ø10</p>	1	2	3
<p>Length/cable/LK/mm Min. 100 mm - max. 50.000 (+10,000 mm only 4-wire arm. teflon) Optional length</p>			
<p>Junction None Flex Spring</p>	0	1	2
<p>Number of conductors 3 cond. 4 cond. (not 2xPt)</p>	3	4	
		1	3
		1	2
		1	3

<p>Cable matr./temp.range 1 PVC -5/+85°C 2 Silicone -50/+180°C 3 ... Teflon/screen -50/+260°C 4 Arm. fibregl. -50/+350°C 5 Arm. teflon -50/+260°C</p>	1	2	3	4	5
<p>Tolerance Class EN 60751 1 Cl. A: ±0.15°C 2 Cl. B: ±0.3°C 3 1/3 Cl. B: ±0.1°C 4 1/6 Cl. B: ±0.05°C</p>	1	2	3	4	
<p>Resistance in ohms at 0°C 1 100 3 1000 (only Cl. B)</p>	1	3			
<p>Number of elements 1 1xPt (only 6 mm) 2 2xPt</p>	1	2			

Connection diagram:



*Some configurations are unavailable. Your Senmatic sales person will notify you if you have made an incorrect selection.