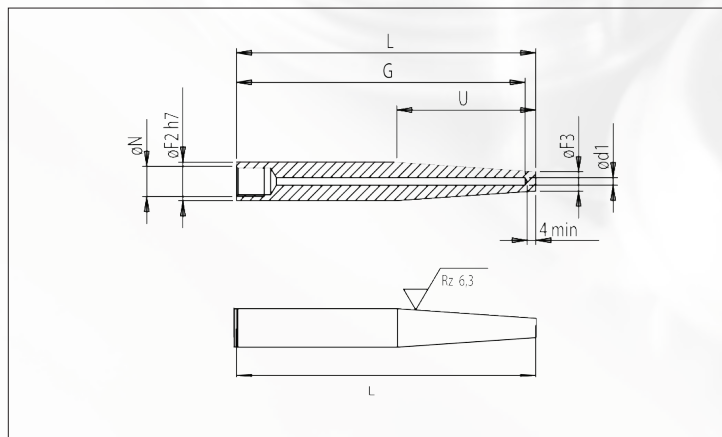


Thermowell TYPE LDW



Weld-in thermowell

- Weld-in thermowell f. thermometers - acc. to DIN 43772 (formerly DIN 43763) for use in containers, tanks and tank systems, for installation/ replacement of sensors without having to drain or evacuate the process.
HIGH-PRESSURE RANGE. Design pressure: 500 bar inside.
- Standard material for thermowell is stainless steel AISI 316Ti.



Ordering: See ordering form on back page

ORDERING FORM / THERMOWELL *

TYPE LDW



Dimension/Thermowell/mm

L	U	G	N	F2	F3	d1
110	65	105	M14x1.5	18	9.0	3.5
110	73	105	M14x1.5	18	9.0	3.5
140	65	135	M14x1.5	18	9.0	3.5
200	65	195	M14x1.5	18	9.0	3.5
200	125	195	M14x1.5	18	9.0	3.5
260	125	255	M14x1.5	18	9.0	3.5
110	65	105	M18x1.5	24	12.5	7
110	73	105	M18x1.5	24	12.5	7
140	65	135	M18x1.5	24	12.5	7
170	133	165	M18x1.5	24	12.5	7
200	125	195	M18x1.5	24	12.5	7
200	65	195	M18x1.5	24	12.5	7
260	125	255	M18x1.5	24	12.5	7
410	275	405	M18x1.5	24	12.5	7
110	65	105	1/2" BSP	26	12.5	7
110	73	105	1/2" BSP	26	12.5	7
140	65	135	1/2" BSP	26	12.5	7
200	65	195	1/2" BSP	26	12.5	7
200	125	195	1/2" BSP	26	12.5	7
260	125	255	1/2" BSP	26	12.5	7
410	275	405	1/2" BSP	26	12.5	7

Material/Thermowell

W. no.	Material/Thermowell
1	... 1.4571 (AISI 316Ti)
2	... 1.5415 (16Mo3)
3	... 1.7335 (13CrMo4-5)
4	... 1.7380 (10CrMo9-10)
5	... 1.4961 (X8CrNiNb1613)

*Some configurations are unavailable. Your Senmatic sales person will notify you if you have made an incorrect selection.