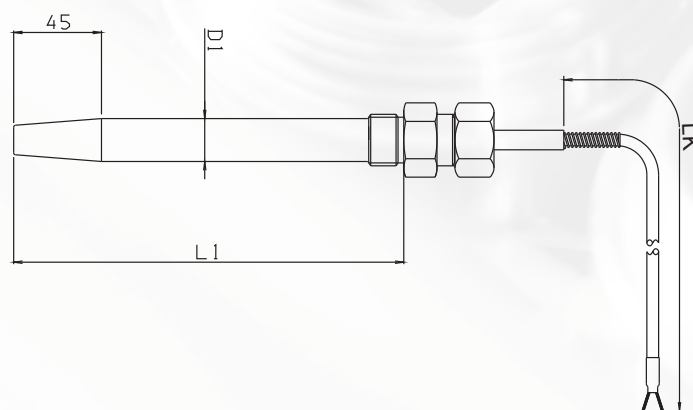
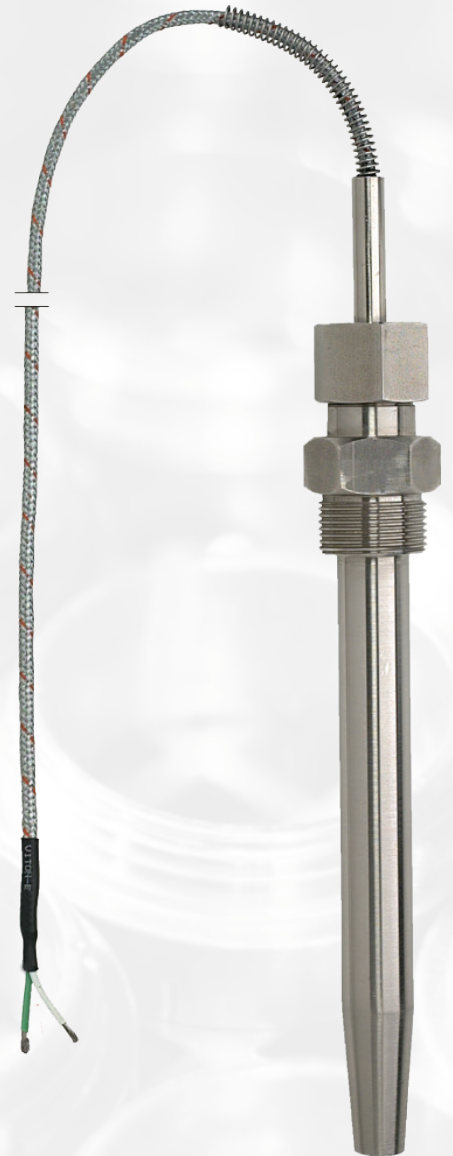


Thermocouple TYPE DMK



For diesel systems - Classified

- Threaded thermocouples are widely used on ships in connection with diesel engines in exhaust and cooling- water systems.
- The measuring inset is with removable thermoelement, mineral insulated with insulated measuring junction. Tolerance class 2, IEC 584-2. Jacket material of stainless steel.
- Protective sheath of stainless steel, AISI 316L.
- Connection: Spring load.
- Response time (mean values) measured at velocities in: water at 0.4 m/s: $\tau_{0.5} = 40$ sec. - $\tau_{0.9} = 186$ sec.
- Approvals: DNV-GL, Bureau Veritas, DNV-GL EU RO MR.



EU RO MUTUAL RECOGNITION TYPE APPROVAL CERTIFICATE - Group members are:

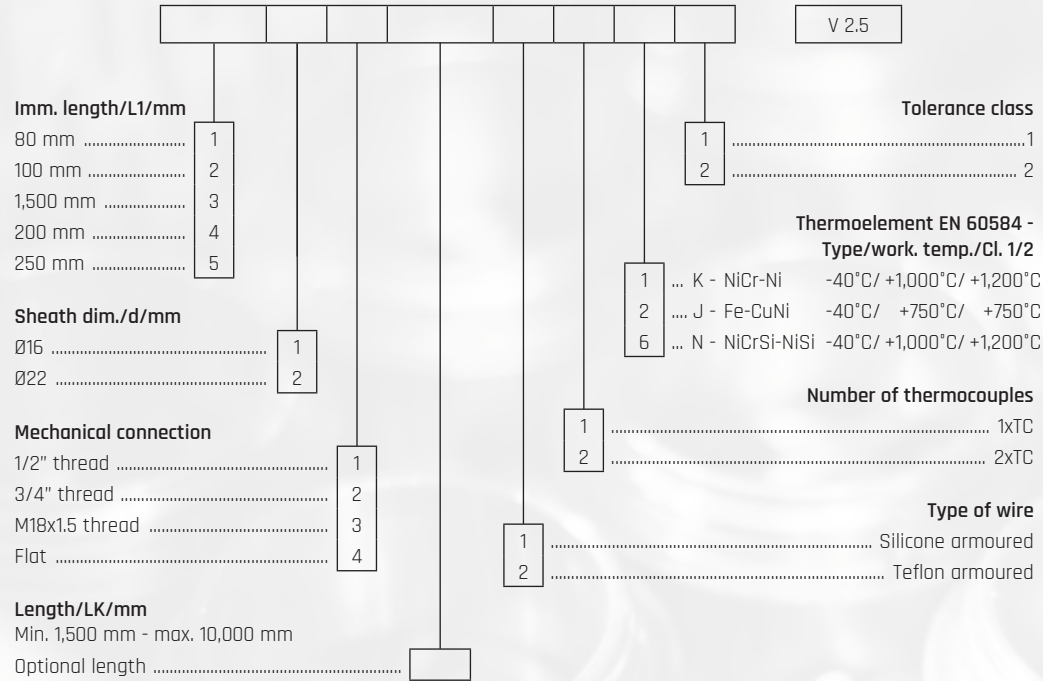


Ordering: See ordering form on back page



ORDERING FORM / THERMOCOUPLE *

TYPE DMK



Connection diagram:

Type	+	-
K	Non-magnetic Green	Magnetic White
J	Magnetic Black	Non-magnetic White
N	Non-magnetic Pink	Magnetic White

*Some configurations are unavailable. Your Senmatic sales person will notify you if you have made an incorrect selection.