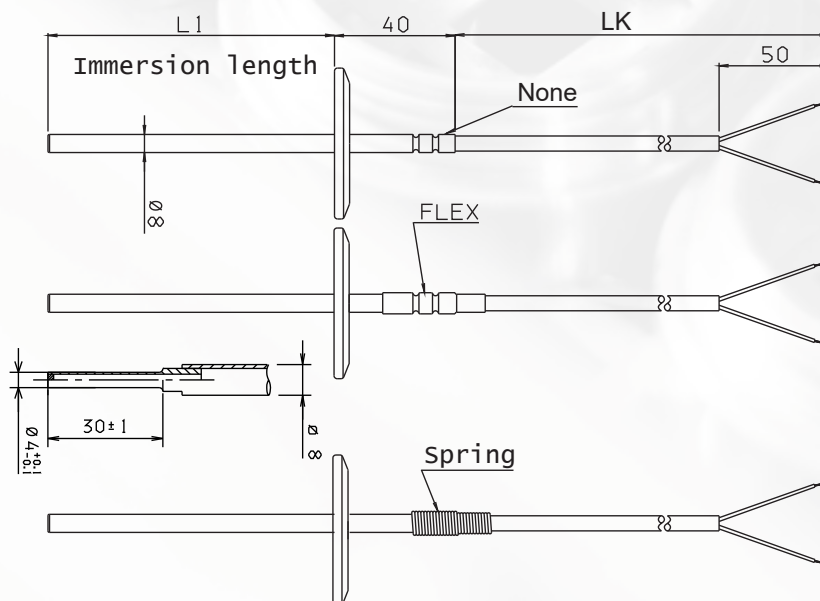


Resistance thermometer TYPE CLE

 Process Industry

Wire sensor - for clamp mounting

- For measurement of temperatures.
- The sensing element is according to EN 60751.
- The protective sheath is standard $\varnothing 8 \times 1$ mm stainless steel, AISI 316L. Pressure test at 16 bar.
- Connecting is standard with 1/2" clamp.
- The connecting wire is standard available in silicone.
- Response time (mean values) measured at velocities in: water at 0.4 m/s: $\tau_{0.5} = 11$ sec.
- Recommended measuring current: max. 2 mA.



Ordering: See ordering form on back page

ORDERING FORM / RESISTANCE THERMOMETER *

TYPE CLE

V 3.0

Imm. length/L1/mm

Min. 60 mm -
max. 150 mm

Optional length

Sheath dia./wallth./mm

- Ø8x1 1
- Ø8 / reduced tip Ø4 x 0.5 2
- Ø6x1 3

Connection

- 1" 1
- 1½" 2
- 2" 3
- 2½" 4

Length/wire/LK/mm

Min. 1,000 mm - max. 5,000 mm

Optional length

Junction

- None 0
- Flex 1
- Spring 2

Wire matr./temp. range

- 2 Silicone -50 / +180°C
- 3 Teflon/screen -50 / +260°C
- 6 Silicone/screen -50 / +180°C

Tolerance Class EN 60751

- 1 Cl. A: ±0.15°C
- 2 Cl. B: ±0.3°C
- 3 1/3 Cl. B: ±0.1°C
- 4 1/6 Cl. B: ±0.05°C

Resistance in ohms at 0°C

- 1 100
- 2 500
- 3 1000

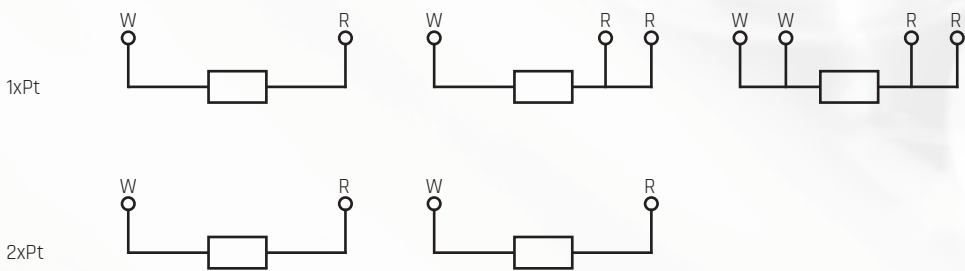
Number of elements

- 1 1xPt
- 2 2xPt (only 2-cond.)

Number of conductors

- 2 2 cond.
- 3 3 cond.
- 4 4 cond.

Connection diagram:



*Some configurations are unavailable. Your Senmatic sales person will notify you if you have made an incorrect selection.