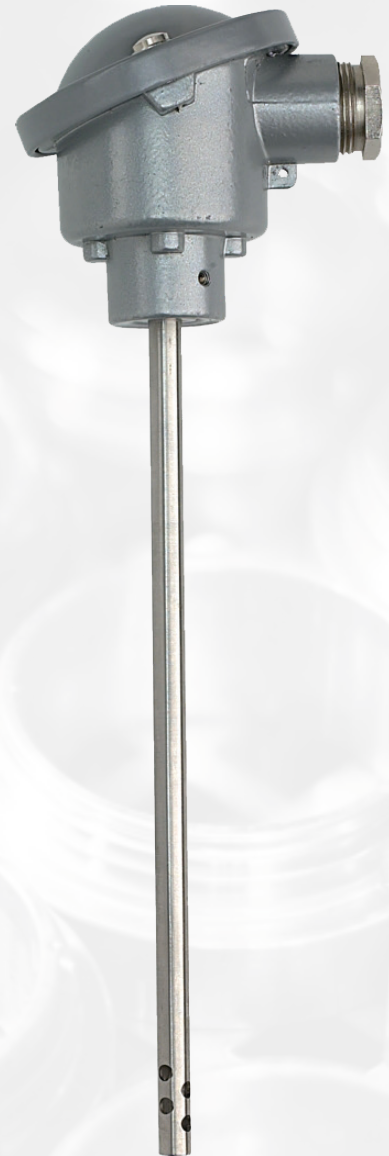


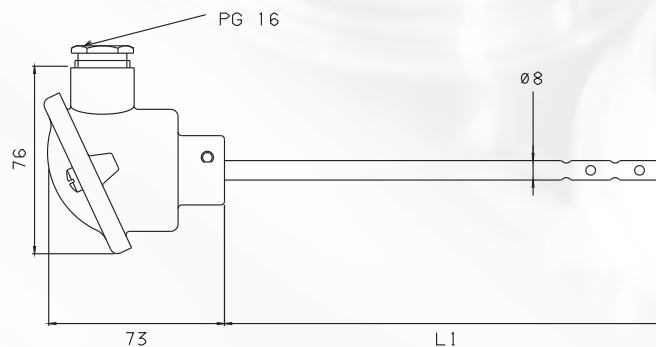
# Resistance thermometer

## TYPE BL



### For ambient air measurement - classified

- Straight thermometer for measurement of ambient temperature in e.g. air ducts.
- The measuring insert is removable, according to IEC 751.
- Protective sheath, Ø8x1, stainless steel 316Ti, open for fast response time.
- Connection: none or with flange.
- Form B connection head according to DIN 43729, of light-alloy metal, protection IP 65, cable gland PG 16.
- Response time (mean values) measured at velocities in:  
air w. 3.0 m/s:  $\tau_{0.5} = 42$  sec. -  $\tau_{0.9} = 125$  sec.
- Recommended measuring current: max. 2 mA.
- Approvals: DNV-GL, Bureau Veritas, DNV-GL EU RO MR.
- Senmatic only guarantee, that the part in contiguity with food, comply with the demands of the Danish Veterinary and Food Administration.



EU RO MUTUAL RECOGNITION TYPE APPROVAL CERTIFICATE - Group members are:

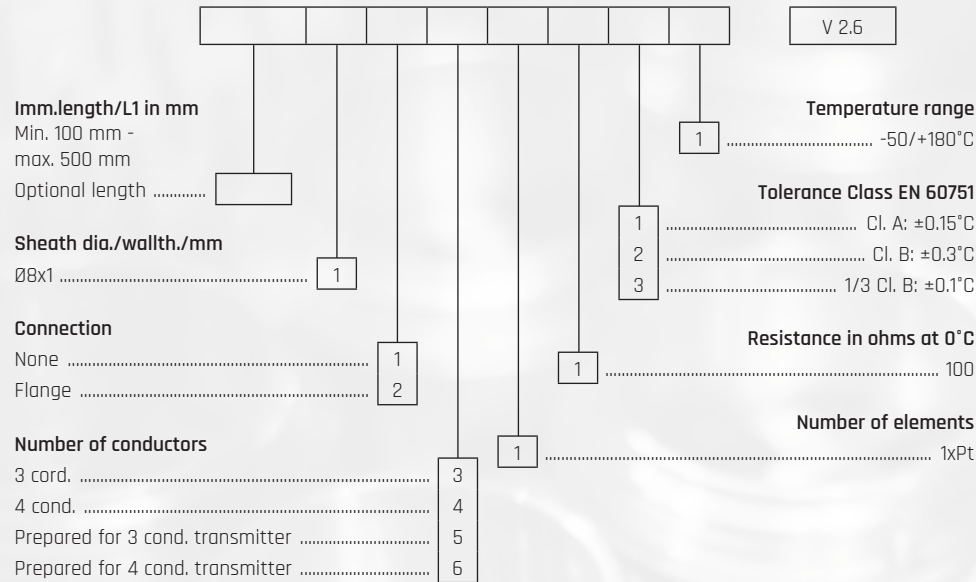


Ordering: See ordering form on back page

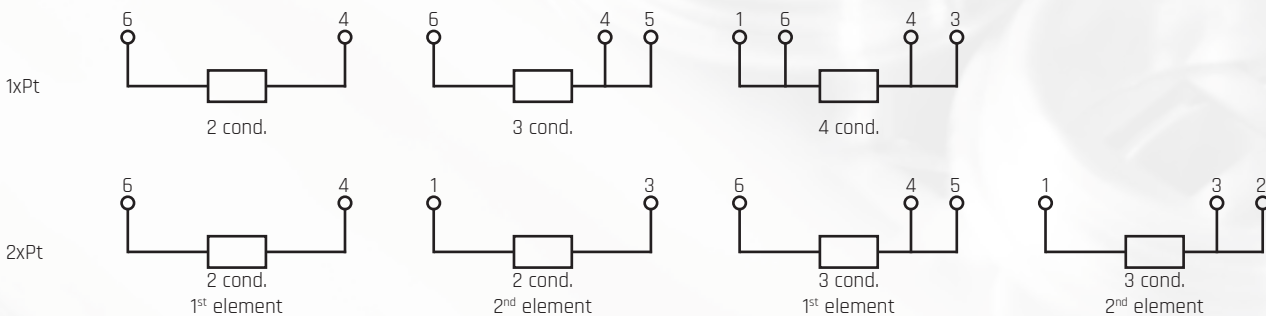


# ORDERING FORM / RESISTANCE THERMOMETER \*

## TYPE BL



### Connection diagram:



\*Some configurations are unavailable. Your Senmatic sales person will notify you if you have made an incorrect selection.