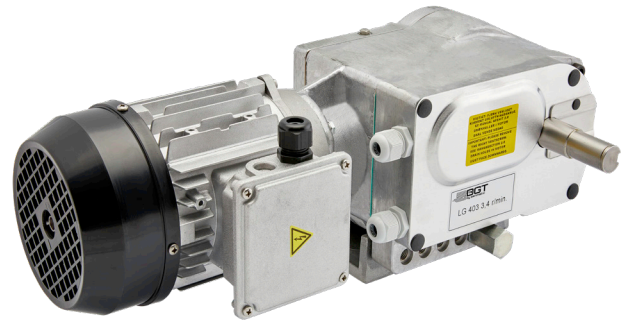




# LG403 GEAR MOTOR

- ✓ Can pull up to approx. 120 m window opening
- ✓ With torque limit switch, the gear motor stops running at a set torque
- ✓ The gear unit is equipped with a safety limit switch, and it has both limit switch and torque limit switch
- ✓ Reliable with long lifespan
- ✓ The gear unit is maintenance-free



## The ultimate solution for ventilation systems and screens

The gear motor is developed specially for automatic opening of top and side windows and screen systems in greenhouses. The construction of the gear motor makes it suitable for operation with the various existing rack-and-pinion systems.

### Torque limit switch

- Due to torque limit switch, the gear motor stops driving at a set torque.
- The torque limit switch ensures that the windows are completely closed, as the gear only stops when there is some pressure from the window on the greenhouse construction.
- The torque limit switch provides additional safety, as the engine stops in the event of mechanical obstructions to the window movement, e.g. frozen windows. This avoids damage to windows and ventilation systems.

### Safety limit switch

- The gear can be delivered with safety limit switch, and then it has both limit switch and torque limit switch.
- The torque limit switch now acts as extra safety if the limit switch, e.g. due to a faulty installation, does not stop the engine.

### Maximum protection

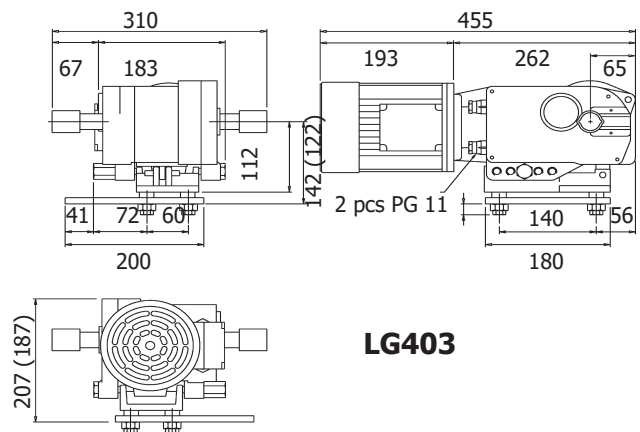
- Full utilization of the double limit switch is only achieved when the gear motor is connected to motor relay R0901/902.

### Technically sophisticated

- LG403 is a lightweight gear weighing just 19 kg.
- The gear has a performance of up to 400 Nm.
- A standard flange motor is mounted on the gearbox making it easy to disassemble without opening the gearbox.
- Potentiometers for position feedback can be built-in.

### Long lifespan

- The selected materials and ball bearings give the gear a lifespan, which in many cases is as long as that of the greenhouse.
- The completely closed construction makes the gear maintenance-free.





## SPECIFICATIONS / LG403 GEAR MOTOR

### Tekniske spesifikationer

Item no.:	Torque output Nm:	Output RPM	Max. no. of rotations between limit switches	Supply voltage/V:	Frequency/ Hz:	Current/A:	Power/kW:	COS<p:	CSA
124070	200	1.3	19	1 x 208-230	50	3.0-3.25	0.37	0.94-0.86	
124050	200	3.2	19	1 x 208-230	50	3.0-3.25	0.37	0.94-0.86	
124020	400	1.3	19	3 X 200-230 / 346-400	50	2.3-2.0 / 1.3-1.2	0.37	0.75-0.72	
124000	400	3.4	19	3 X 200-230 / 346-400	50	2.3-2.0 / 1.3-1.2	0.37	0.75-0.72	
124030	400	4.4	19	3 X 200-230 / 346-400	50	2.3-2.0 / 1.3-1.2	0.37	0.75-0.72	
124010	400	6.8	19	3 X 200-230 / 346-400	50	2.3-2.0 / 1.3-1.2	0.37	0.75-0.72	
124350	200	3.8	19	1 x 208-230	60	3.5-3.4	0.37	0.99-0.98	X
124320	400	1.6	19	3 X 200-230 / 346-400	60	2.1-1.8 / 1.2-1.0	0.37	0.77-0.74	X
124300	400	4.1	19	3 X 200-230 / 346-400	60	2.1-1.8 / 1.2-1.0	0.37	0.77-0.74	X
124331	400	4.1	19	3 x 330-575	60	1.7-1.0	0.37	0.77-0.74	X
124490 without motor	400	1.3	19						
124491 without motor	400	3.4	19						

### Specification of output RPM

Output RPM:	1.3	3.4	6.8
For what purpose are the different outputs recommended:	For racks of max. length 75 cm	For racks longer than 75 cm	For screens and window opening systems in Venlo Blocks



## SPECIFICATIONS / LG403 GEAR MOTOR

### Physical specifications

Environment temperature:	Max. operating temperature:	IP rating:	Emission:	Immunity:	Dimensions L x W x H:	Weight:
0 - 70° C (32 - 158° F)	100° C (212° F)	IP55/F	EN50081-1	EN50082-1	455 x 183 x 220 mm (18 x 7 x 9")	19 kg (42 lb)

### Accessories

	Item no.	Description	Order quantity per gear
	90140250	Console complete*	1
	140420	Profile coupling pieces	2
	140425	Profile coupling pieces with grooved pin	2
	140410	Chain coupling pieces	2
	140435	Chain coupling pieces w. grooved pin	2
	90140600	Profile coupling 250 complete	2
	129210	Safety limit switch mounted	1

\* Console is only to be ordered for new gears - when replacing a gear, console can be reused

### Accessories

	Item no.	Description	Order quantity per gear
	90140650	1" Chain coupling complete	2
	90140660	1 1/4" Chain coupling complete	2
	90140670	1 1/2" Chain coupling complete	2
	129420	1000 Ohm potentiometer	1
	852020	Elec. motor 1400 R 3 x 200-230 / 346-400 V	1
	852050	Elec. motor 1700 R 3 x 200-230 / 346-400 V CSA	1

### Distributor:

Version: 02112023

### Contact details:

DGT by Senmatic  
Phone: +45 64 89 22 11  
dgtsales@senmatic.com - www.senmatic.dk

### Head office:

Senmatic A/S - Industrivej 8 - DK-5471 Sønderød