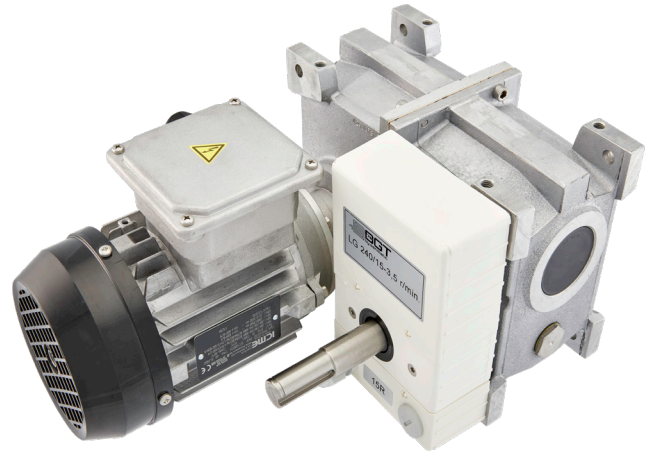




# LG240 GEAR MOTOR

- ✓ Can pull up to approx. 65 m windows of polycarbonate and approx. 55 m if the windows are made of glass
- ✓ Compact - low weight
- ✓ More mounting solutions
- ✓ Low noise operation
- ✓ No maintenance



## Designed for operating vents and screens in greenhouses

LG240 is a compact gear motor with high performance and small installation dimensions. The unique design with the electric motor parallel with the through going output shaft, combined with three mounting surfaces gives optimal mounting where space is limited.

### Construction and choice of materials

- The design of the gearbox and the choice of materials give a silent operation.
- LG240 consists of a gearbox, electric motor and limit switch system.

### Precision and safety

- LG240 has self-locking worm gearing securing vent or screen when power is cut off.
- All shafts are imbedded with ball bearings.
- The built-in limit switch has a gear connection directly to the output shaft, which provides both great precision and ensuring that the gear stops correctly.

### Coupling options

- The gear motor is supplied with output shafts machined to accept coupling adapters for two types of coupling:
  - > Chain coupling
  - > Profile coupling
- The coupling adapters are easy to fit to the gear motor output shaft by means of key / keyway and a locking ring, and is a very flexible solution.

### Easy mounting

- The light alloy aluminium gearbox has a low weight, which makes installation handling easy.
- The closed gearbox and the many mounting surfaces allow either a horizontal, vertical or angled mounting, meaning you can mount directly on the greenhouse gutter or on a base plate.

### Installation options and operation

- LG240 can be supplied in an inverted model giving more mounting possibilities.
- The built-in limit switch in LG240 is easy to adjust and can be supplied to match the actual rotations needed for ventilation and screens respectively.
- The electric motor has a threaded hole for manual operation, giving the possibility to operate vents or screens before power is connected.
- It is possible to install a potentiometer for position feedback.

### Long lifespan

- The selected materials and ball bearings give the gear a lifespan, which in many cases is as long as that of the greenhouse.
- The completely closed construction makes the gear maintenance-free.



## SPECIFICATIONS / LG240 GEAR MOTOR

### Technical specifications

Item no.:	Right or left gear:	Torque output Nm:	Output RPM	Max. no. of rotations between limit switches	Supply voltage/V:	Frequency/Hz:	Current/A:	Power/kW:	COS<p:
123000	Right	240	3,5	15	3 X 200-230 / 346-400	50	1,75-1,9 / 1,02-1,1	0,37	0,84-0,71
123010	Left	240	3,5	15	3 X 200-230 / 346-400	50	1,75-1,9 / 1,02-1,1	0,37	0,84-0,71
123040	Right	240	6,8	15	3 X 200-230 / 346-400	50	1,75-1,9 / 1,02-1,1	0,37	0,84-0,71
123050	Left	240	6,8	15	3 X 200-230 / 346-400	50	1,75-1,9 / 1,02-1,1	0,37	0,84-0,71
123220	Right	240	6,8	50	3 X 200-230 / 346-400	50	1,75-1,9 / 1,02-1,1	0,37	0,84-0,71
123230	Left	240	6,8	50	3 X 200-230 / 346-400	50	1,75-1,9 / 1,02-1,1	0,37	0,84-0,71
123320	Højre	240	2,6	15	3 X 200-230 / 346-400	60	1,74-1,5 / 1,02-0,94	0,37	0,87-0,79

### Physical specifications

Environment temperature:	Max. operating temperature:	IP rating:	Emission:	Immunity:	Dimensions L x W x H:	Weight:
0 - 70° C (32 - 158° F)	100° C (212° F)	IP55F	EN50081-1	EN50082-1	386 x 224 x 165 mm (14,8 x 8,6 x 6,3")	13,5 kg (29,7 lb)

### Specification of max. no. of rotations between limit switches

Number of rotations:	15	50	Combination rotations 15 and output RPM 6,8
For what purpose are the different rotations recommended:	For racks	For screens	For screens and window opening systems in Venlo Blocks

### Specification of output RPM

Output RPM:	1,1	3,5	6,8
For what purpose are the different outputs recommended:	For racks of max. length 75 cm	For racks longer than 75 cm	For screens and window opening systems in Venlo Blocks



## SPECIFICATIONS / LG240 GEAR MOTOR

### Accessories

	Item no.	Description	Order quantity per gear
	90140250	Console complete*	1
	140400	Profile coupling pieces	2
	140405	Profile coupling pieces with grooved pin	2
	140410	Chain coupling pieces	2
	90140620	Profile coupling 100 complete	2
	90140600	Profile coupling 250 complete	2
	90140650	1" Chain coupling complete	2

\* Console is only to be ordered for new gears - when replacing a gear, console can be reused

### Accessories

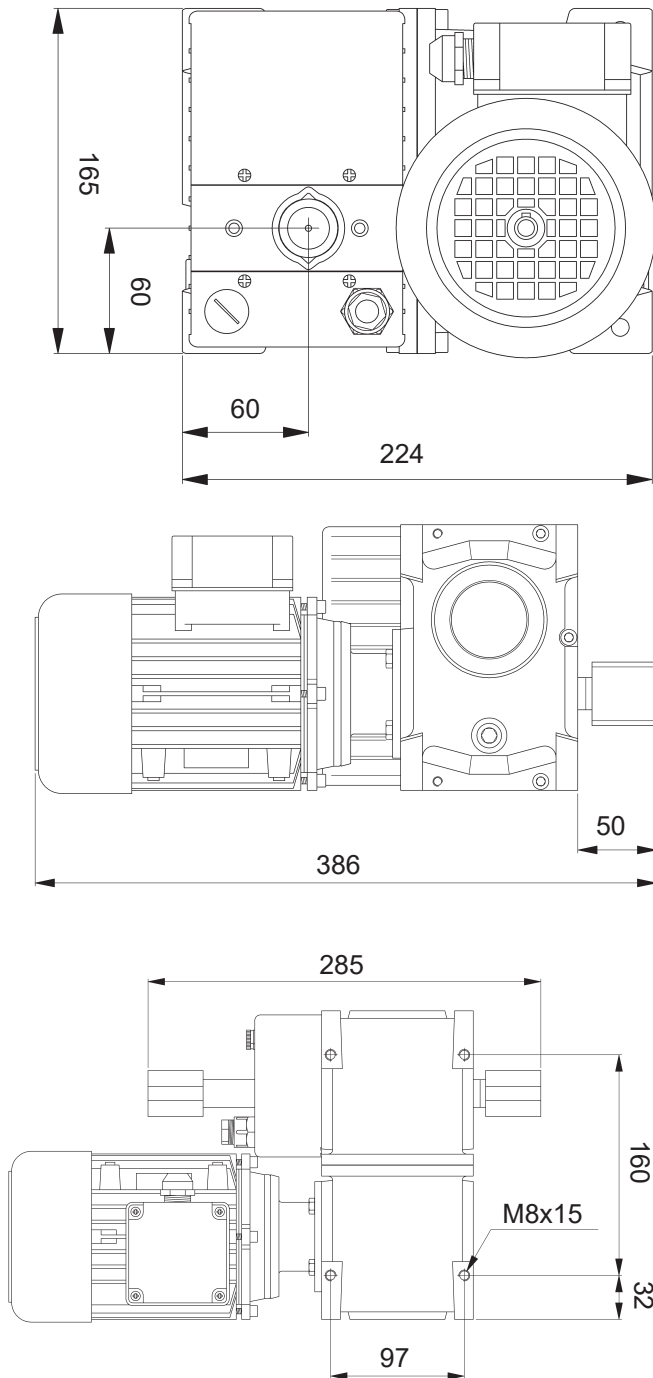
	Item no.	Description	Order quantity per gear
	90140660	1 1/4" Chain coupling complete	2
	90140670	1 1/2" Chain coupling complete	2
	129320	1000 Ohm potentiometer	1
	850010	Elec. motor 2800 R 3 x 400 V	1



## SPECIFICATIONS / LG240 GEAR MOTOR

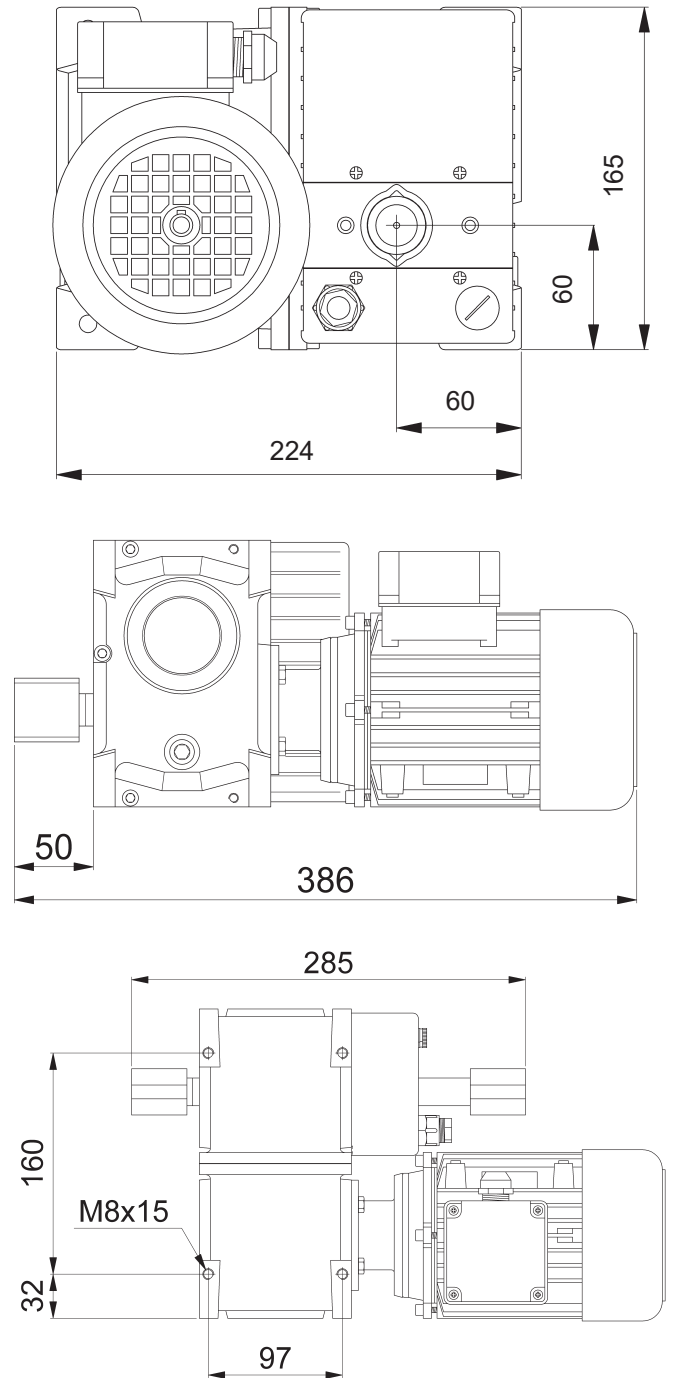
### Left gear

Gear shaft is mounted on the left side of the unit, seen in proportion to the electrical motor. Left-gear is installed in the right side of the greenhouse (seen from the motor ventilation end).



### Right gear

Gear shaft is mounted on the right side of the unit, seen in proportion to the electrical motor. Right-gear is installed in the left side of the greenhouse (seen from the motor ventilation end).



Distributor:

Contact details:

DGT by Senmatic

Phone: +45 64 89 22 11

[dgtsales@senmatic.com](mailto:dgtsales@senmatic.com) - [www.senmatic.dk](http://www.senmatic.dk)

Version: 31102023

Head office:

Senmatic A/S - Industrivej 8 - DK-5471 Sønderlø