



LG120 GEAR MOTOR

- ✓ Mainly for smaller greenhouses
- ✓ Can pull up to 50 m window of polycarbonate. If the window is made of glass, it can pull up to 40 m.
- ✓ Compact - low weight
- ✓ Multiple mounting solutions
- ✓ Silent operation and no maintenance



Designed for operating vents and screens in greenhouses

LG120 is a compact gear motor with high performance and small installation dimensions. The unique design with the electric motor parallel with the through going output shaft, combined with three mounting surfaces gives optimal mounting where space is limited.

Construction and choice of materials

- The design of the gearbox and the choice of materials give a silent operation.
- LG120 consists of a gearbox, electric motor and limit switch system.

Precision and safety

- LG120 has self-locking worm gearings securing vent or screen when power is cut off.
- All shafts are imbedded with ball bearings.
- The built-in limit switch has a gear connection directly to the output shaft, which provides both great precision and ensuring that the gear stops correctly.

Coupling possibilities

- The gear motor is mounted with an external output shaft, on which coupling adapters for two different couplings can be connected:
 - > Chain coupling
 - > Profile coupling
- Coupling adapters are easily attached to the gear motor output shaft with a groove and a locking ring. A very flexible solution.

Easy mounting

- The light alloy aluminium gearbox has a low weight, which makes installation handling easy.
- The closed gearbox and the many mounting surfaces give the possibility for horizontal, vertical or angled mounting, meaning you can mount directly on the greenhouse gutter or on a base plate.

Installation options and operation

- The gearbox can be supplied in an inverted model giving even more mounting possibilities, especially where they are mounted in pairs.
- The built-in limit switch in LG120 is easy to adjust and can be supplied to match the actual rotations needed for ventilation and screens respectively.
- The electric motor has a threaded hole for manual operation, giving the possibility to operate vents or screens before power is connected.
- It is possible to install a potentiometer for position feedback.

Long lifespan

- The selected materials and the ball bearings give the gear motor a lifetime which in many cases is as long as the greenhouse itself.
- The closed design makes the gear motor maintenancefree.



SPECIFICATIONS / LG120 GEAR MOTOR

Tekniske spesifikationer

Item no.:	Right or left gear:	Torque output Nm:	Output RPM	Max. no. of rotations between limit switches	Supply voltage/V:	Frequency/ Hz:	Current/A:	Power/kW:	COS<p:
122070	Right	60	1,1	15	1 x 208-230	50	1,45-1,6	0,25	0,97
122080	Left	60	1,1	15	1 x 208-230	50	1,45-1,6	0,25	0,97
122050	Right	60	3,3	15	1 x 208-230	50	1,45-1,6	0,25	0,97
122060	Left	60	3,3	15	1 x 208-230	50	1,45-1,6	0,25	0,97
122250	Right	60	1,1	50	1 x 230	50	1,45-1,6	0,25	0,76-0,64
122020	Right	120	1,1	15	3 X 200-230 / 346-400	50	1,1-1,2 / 0,67-0,68	0,18	0,76-0,64
122025	Right w/o motor	120	1,1	15					
122030	Left	120	1,1	15	3 X 200-230 / 346-400	50	1,1-1,2 / 0,67-0,68	0,18	0,76-0,64
122035	Left w/o. motor	120	1,1	15					
122000	Right	120	3,5	15	3 X 200-230 / 346-400	50	1,1-1,2 / 0,67-0,68	0,18	0,76-0,64
122010	Left	120	3,5	15	3 X 200-230 / 346-400	50	1,1-1,2 / 0,67-0,68	0,18	0,76-0,64
122200	Right	120	3,5	50	3 X 200-230 / 346-400	50	1,1-1,2 / 0,67-0,68	0,18	0,76-0,64
122210	Left	120	3,5	50	3 X 200-230 / 346-400	50	1,1-1,2 / 0,67-0,68	0,18	0,76-0,64
122220	Right	120	6,8	50	3 X 200-230 / 346-400	50	1,1-1,2 / 0,67-0,68	0,18	0,76-0,64
122230	Left	120	6,8	50	3 X 200-230 / 346-400	50	1,1-1,2 / 0,67-0,68	0,18	0,76-0,64
122350	Right	60	3,9	15	1 x 208-230	60	1,52-1,53	0,25	0,97
122320	Right	120	1,3	15	3 X 200-230 / 346-400	60	1,05-1,0 / 0,63-0,58	0,18	0,79-0,70
122300	Right	120	4,2	15	3 X 200-230 / 346-400	60	1,05-1,0 / 0,63-0,58	0,18	0,79-0,70
122310	Left	120	4,2	15	3 X 200-230 / 346-400	60	1,05-1,0 / 0,63-0,58	0,18	0,79-0,70
122340	Right	120	4,2	15	3 X 200-230 / 346-400	60	1,05-1,0 / 0,63-0,58	0,18	0,79-0,70
122343	Left	120	4,2	15	3 X 200-230 / 346-400	60	1,05-1,0 / 0,63-0,58	0,18	0,79-0,70



SPECIFICATIONS / LG120 GEAR MOTOR

Physical specifications

Environment temperature:	Max. operating temperature:	IP rating:	Emission:	Immunity:	Dimensions L x W x H:	Weight:
0 - 70° C (32 - 158° F)	100° C (212° F)	IP55/F	EN50081-1	EN50082-1	386 x 224 x 165 mm (14,8 x 8,6 x 6,3")	13,5 kg (29,7 lb)

Specification of output RPM

Output RPM:	1.1	3.5	6.8
For what purpose are the different outputs recommended:	For racks of max. length 75 cm	For racks longer than 75 cm	For screens and window opening systems in Venlo Blocks

Accessories

	Item no.	Description	Order quantity per gear
	90140250	Console complete*	1
	140400	Profile coupling pieces	2
	140405	Profile coupling pieces with grooved pin	2
	140410	Chain coupling pieces	2
	90140620	Profile coupling 100 complete	2
	90140600	Profile coupling 250 complete	2
	90140650	1" Chain coupling complete	2

* Console is only to be ordered for new gears - when replacing a gear, console can be reused

Accessories

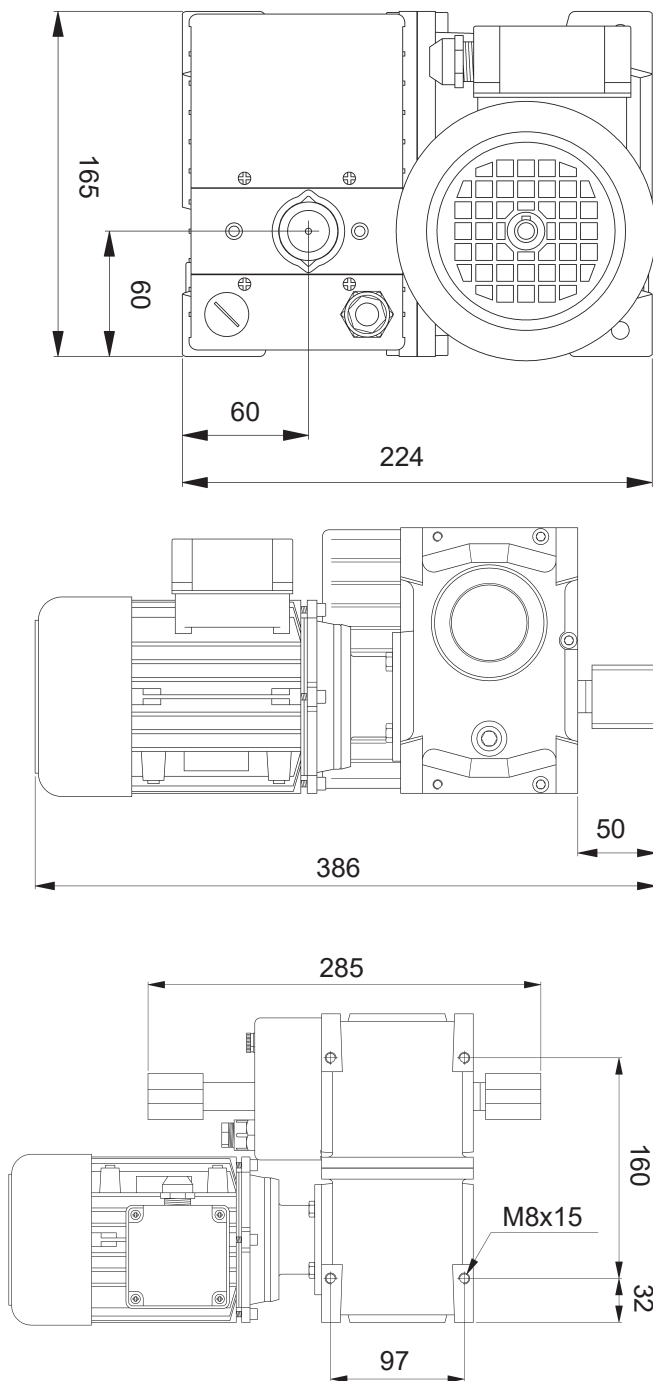
	Item no.	Description	Order quantity per gear
	90140660	1 1/4" Chain coupling complete	2
	90140670	1 1/2" Chain coupling complete	2
	129320	1000 Ohm potentiometer	1
	850000	Elec. motor 1400 R 3 x 400 V	1
	850200	Elec. motor 1680 R 3 x 208 V CSA	1
	850100	Elec. motor 1320 R 1 x 220 V	1
	850300	Elec. motor 1584 R 1 x 220 V CSA	1



SPECIFICATIONS / LG120 GEAR MOTOR

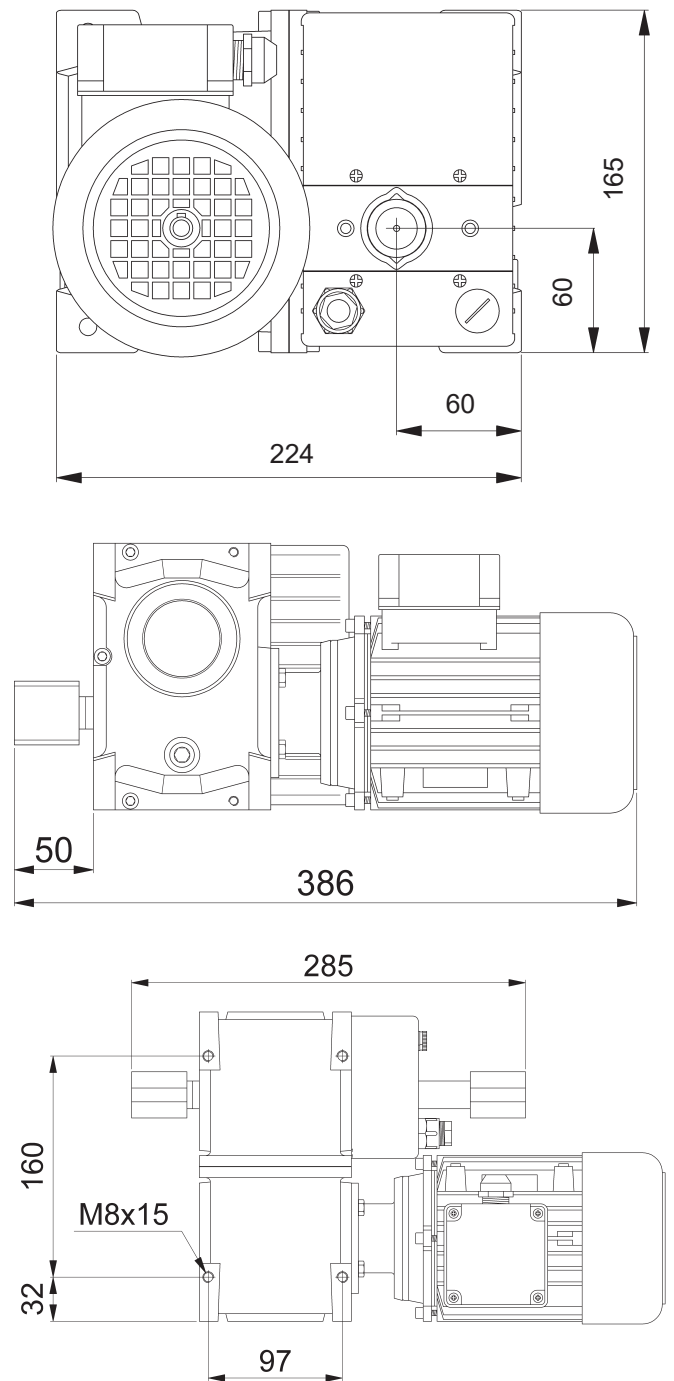
Left gear

Gear shaft is mounted on the left side of the unit, seen in proportion to the electrical motor. Left-gear is installed in the right side of the greenhouse (seen from the motor ventilation end).



Right gear

Gear shaft is mounted on the right side of the unit, seen in proportion to the electrical motor. Right-gear is installed in the left side of the greenhouse (seen from the motor ventilation end).



Distributor:

Contact details:

DGT by Senmatic
Phone: +45 64 89 22 11
dgtsales@senmatic.com - www.senmatic.dk

Version: 27102023

Head office:

Senmatic A/S - Industrivej 8 - DK-5471 Sønderød