

Resistance thermometer

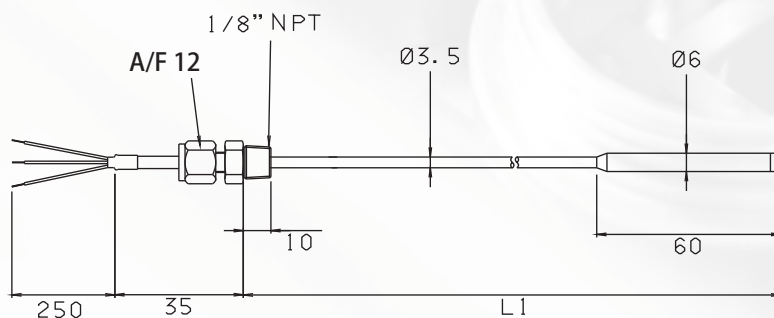
TYPE NS



Oil & Gas

Tank Thermometer

- Roll-up threaded thermometer for measurement of temperatures in pipeline and tank systems, e.g. in oil tankers, as part of a volume measuring system.
- The measuring element is according to IEC 751.
- Protective sheath of Ø3,5 annealed stainless steel, length on request.
- Sensor tip Ø6×60.
- Wires are available in tefzel (only 3 wire) and teflon (3 and 4 wire).
- Mounting by compression fitting with 1/8" NPT thread.
- Response time (mean values) measured at velocities in: water w. 0.4 m/s; $\tau_{0.5} = 6.4$ sec. - $\tau_{0.9} = 27$ sec.
- Recommended measuring current: max. 2 mA.
- Approvals: DNV-GL, Bureau Veritas, DNV-GL EU RO MR.



Tightening of Type-NS compression fitting.

Tighten the compression part 1/8" NPT with a torque of 16 Nm.
Tighten the compression part A/F 12 with a torque of 6 Nm.

If tightened more times use a torque wrench and tighten with 16 Nm.



EU RO MUTUAL RECOGNITION TYPE APPROVAL CERTIFICATE - Group members are:

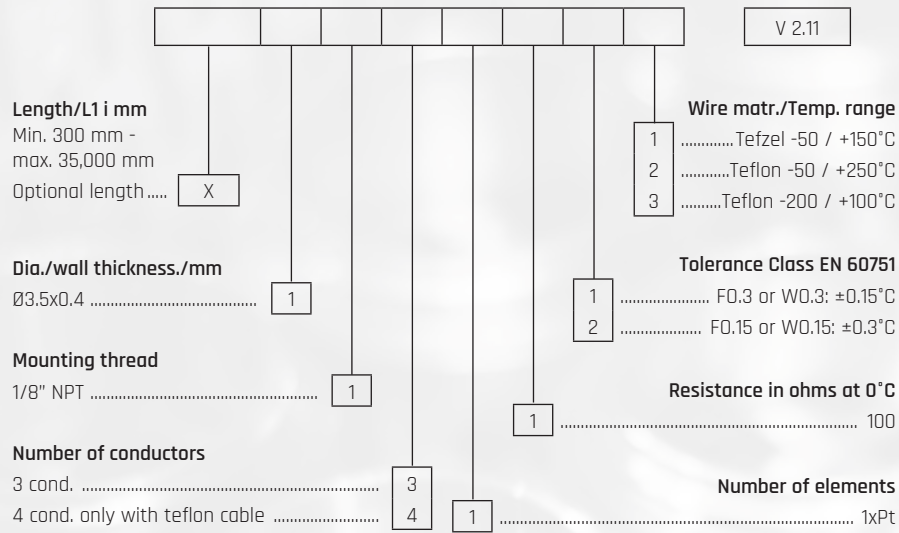


Ordering: See ordering form on back page

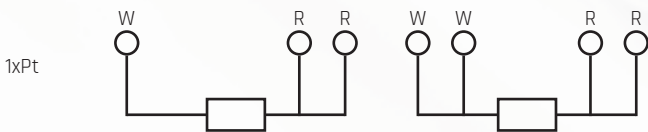


ORDERING FORM / Resistance thermometer *

TYPE NS



Connection diagram:



*Some configurations are unavailable. Your Senmatic sales person will notify you if you have made an incorrect selection.